

Strainer

Type 08432 - Strainer, DIN EN Flanges



Cryogenic-Strainer, PN40

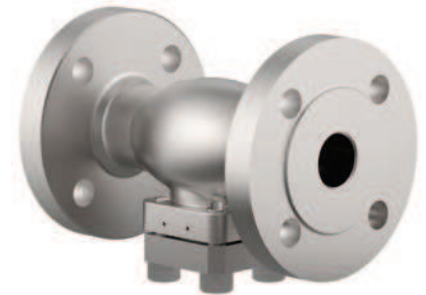
Stainless steel body and cap
with strainer screen mesh size 0.25 mm
"cleaned and degreased for oxygen service"

Part No. 08432.X.0002

Flanged connection acc. to DIN EN 1092-1 PN40

Available options - on request only:

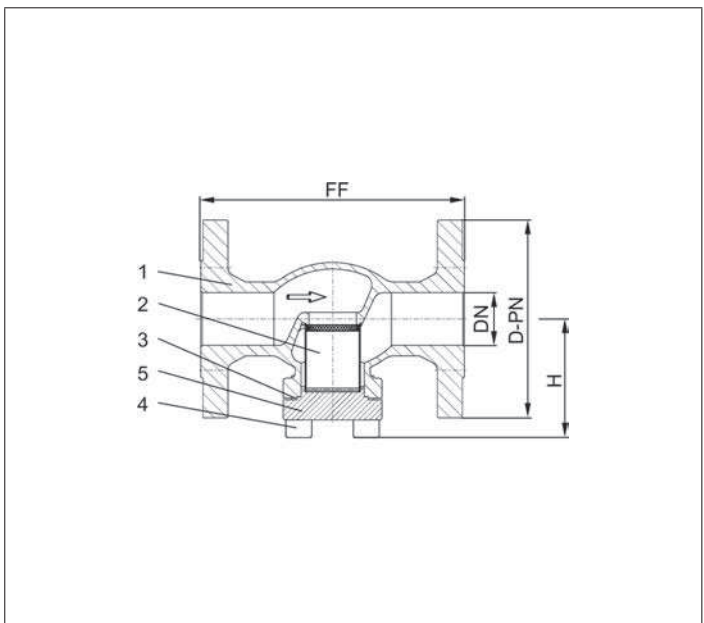
- other mesh sizes for strainer screen (changed flow coefficient)
- strainer screen in bronze or monel
- sintered filter in bronze or stainless steel in various porosities
- Nominal sizes DN15, DN20 and DN150 with welded flange



Applications:

Approved for air gases, vapours and cryogenic liquefied gases incl. LNG.
Working temperature: -196°C / -321°F (77K) up to +120°C / +248°F (393K)

Materials	DIN EN	ASTM
1 Body	1.4308	A 351 CF8
2 Strainer screen	1.4301	A 240 Grade 304
3 Bonnet gasket	PTFE	
4 Bolts	1.4301/A2	A 194 B8
5 Cap	1.4301	A 276 Grade 304



Standard marking acc. to Pressure Equipment Directive 97/23/EC (PED).



Type 08432 - Standard design	Technical data						
Nominal size	DN	25	40	50	65	80	100
Dimension code - Flange EN 1092-1 PN40	.X.	0250	0400	0500	0650	0800	1000
Flange-Ø	D-PN	115	150	165	185	200	235
Face-to-face dimension	FF	160	200	230	290	310	350
Height	H	69	89	89	125	150	166
Weight	ca. kg	4.0	5.6	10.6	17.7	23.2	36.8
Kvs-Value	m ³ /h	9.5	21.0	28.0	62.0	90.0	118.0
Cv-Value	gal/min	11.0	24.3	32.4	71.7	104.0	136.4

Dimensions in mm.