

# Actuated Valves

## Type 03343 - Actuated Globe Valve



### Cryogenic-Globe Valves with Pneumatic Actuator, PN16

Stainless steel body and topwork

Actuator - air opens, spring closes or contrary

"live loaded" gland packing

"cleaned and degreased for oxygen service" - the actuator is not cleaned and degreased for oxygen

#### Part No. 03343.X.\*014

Flanged connection acc. to DIN EN 1092-1 PN16

Available accessories:

- Solenoid valve
- Limit switch
- Electropneumatic positioner etc.

Available options - on request only:

- Actuator - "cleaned and degreased for oxygen service"
- Electric actuator
- Valve with check disc
- Valve with control disc (tapered design)
- Nominal sizes DN15, DN20 and DN150 with welded flange

#### Applications:

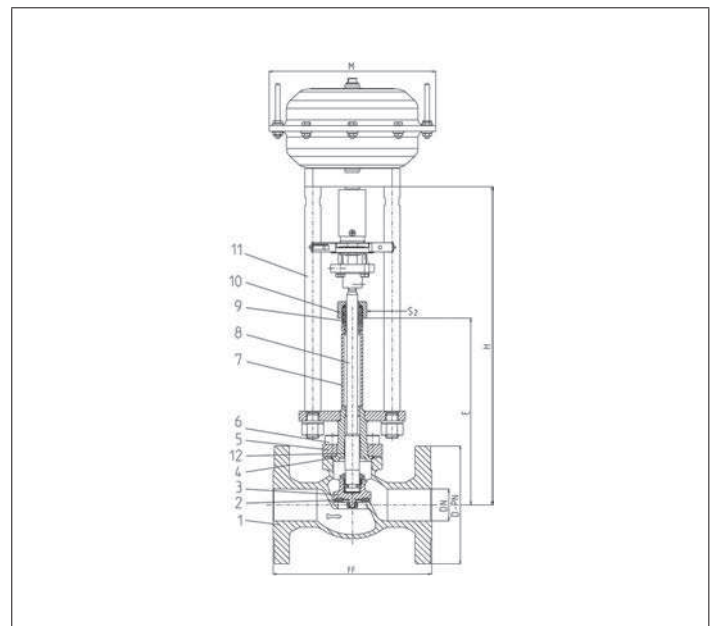
Approved for air gases, vapours and cryogenic liquefied gases incl. LNG.

Working temperature: -196°C / -321°F (77K) up to +120°C / +248°F (393K)



Materials	DIN EN	ASTM
1 Body	1.4308	A 351 CF8
2 Valve seal up to DN50	PTFE / Carbon filled (25%)	
2a Valve seal from DN65	PTFE	
3 Disc	1.4301	A 276 Grade 304
4 Bonnet gasket	PTFE	
5 Headpiece	1.4301	A 276 Grade 304
6 Bolts	1.4301/A2	A 194 B8
7 Elongation tube	1.4541	A 213 TP 321
8 Stem	1.4301	A 276 Grade 304
9 Gland packing	Graphite / PTFE	
10 Gland nut	1.4305	A 276 Grade 303
11 Pillars	1.4404	A 276 Grade 316L
12 Bush	CW452K	B 159 UNS C51900

Standard marking acc. to Pressure Equipment Directive 97/23/EC (PED).



Type 03343 - Standard design	Technical data									
	DN	25	40	50	65	80	100	125	150	
Nominal size	DN	25	40	50	65	80	100	125	150	
Dimension code - Flange EN 1092-1 PN16	.X.	0250	0400	0500	0650	0800	1000	1250	1500	
Flange-Ø	D-PN	115	150	165	185	200	235	250	285	
Face-to-face dimension	FF	160	200	230	290	310	350	390	510	
Height	H	375	420	425	510	575	635	635	685	
Length	E	200	230	235	300	300	300	300	350	
Actuator-Ø	M	dependent on actuator								
Wrench size across flats	S <sub>2</sub>	30	36	36	36	36	41	41	41	
Weight w/o actuator	ca. kg	5.4	11.2	15.3	23.6	31.0	46.8	56.0	68.5	
Kvs-Value	m <sup>3</sup> /h	11.5	22.6	37.1	71.1	104.0	170.0	170.0	350.0	
Cv-Value	gal/min	13.4	26.3	43.2	82.7	120.9	195.2	195.2	401.8	
Stroke	mm	9	11	15	23	23	30	30	40	

Dimensions in mm.

