

Globe Valves

Type 02401 - Globe Valve



Cryogenic-Globe and Globe/Check Valves, PN50

Bronze body and topwork,
 "live loaded" gland packing
 "cleaned and degreased for oxygen service"

Part No. 02401.X.0001

Part No. 02401.X.5001 Globe/Check Valve

Male thread for union connection

Available options - on request only:

- Valve with control disc (tapered design)



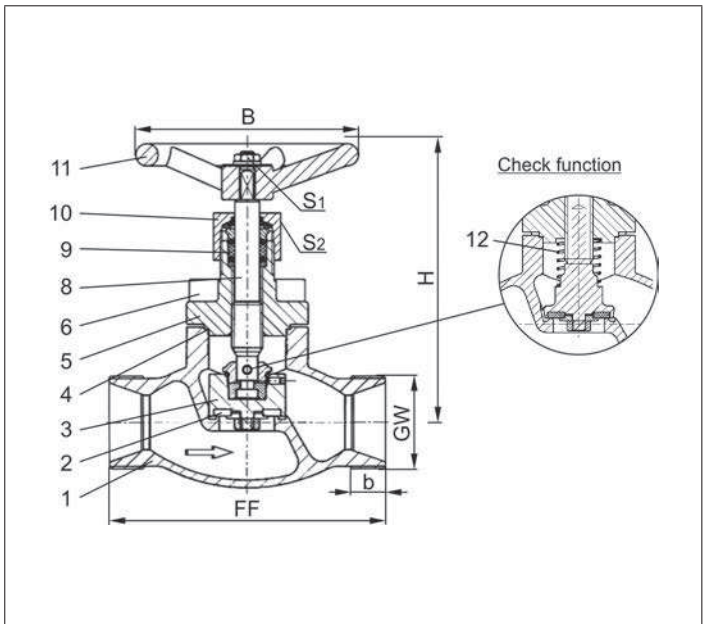
Applications:

Approved for air gases, vapours and cryogenic liquefied gases incl. LNG.

Working temperature: -196°C / -321°F (77K) up to +120°C / +248°F (393K)

Recommended working temperature: -60°C / -76°F (213K) up to +120°C / +248°F (393K)

Materials	DIN EN	ASTM
1 Body	CC491K	B 62 UNS C83600
2 Valve seal	PTFE / Carbon filled (25%)	
3 Disc	CW614N	B 283 UNS C38500
4 Bonnet gasket	PTFE	
5 Headpiece	CC493K	B 505 UNS C93200
6 Bolts	1.4301/A2 A 194 B8	
8 Stem	1.4301	A 276 Grade 304
9 Gland packing	Graphite / PTFE	
10 Gland nut	CW614N	B 283 UNS C38500
11 Handwheel	Aluminium alloy	
12 Spring	CW452K	B 159 UNS C51900



Standard marking acc. to Pressure Equipment Directive 97/23/EC (PED).



Type 02401 - Standard design	Technical data						
	DN	10	20	32	40	50	
Nominal size	.X.	0100	0200	0320	0400	0500	
Dimension code	FF	60	85	115	140	160	
Face-to-face dimension	H	140	140	170	175	200	
Height	GW	M26x1.5	M40x2.0	M55x2.0	M65x2.0	M78x2.0	
Union thread	b	10	11	14	17	20	
Thread length	B	100	100	125	125	125	
Handwheel-Ø	S ₁	10	10	13	13	13	
Wrench size across flats	S ₂	30	30	36	36	36	
Wrench size across flats	Weight	ca. kg	1.0	1.7	2.8	4.2	6.7
Weight	Kvs-Value	m ³ /h	2.2	6.7	12.1	22.6	37.1
Kvs-Value	Cv-Value	gal/min	2.6	7.8	14.1	26.3	43.2
Cv-Value							

Dimensions in mm.